

Fisher® FIELDVUE™ DVC6200f Digital Valve Controller

The FIELDVUE DVC6200f digital valve controller is a FOUNDATION™ fieldbus communicating instrument that converts a digital control signal into a pneumatic output to an actuator. It can easily be retrofitted in place of existing analog positioners on most Fisher and non-Fisher pneumatic actuators.

Features

Reliability

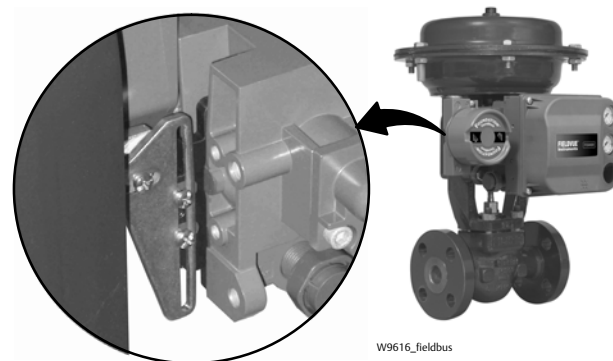
- **Linkage-Less Non-Contact Position Feedback**— The high performance, linkage-less feedback system eliminates physical contact between the valve stem and the DVC6200f. There are no wearing parts so cycle life is maximized.
- **Built to Survive**—The field proven DVC6200f instrument has fully encapsulated electronics that resist the effects of vibration, temperature, and corrosive atmospheres. A weather-tight wiring terminal box isolates field wiring connections from other areas of the instrument.

Performance

- **Accurate and Responsive**— The two-stage positioner design provides quick response to large step changes and precise control for small setpoint changes.
- **Travel Control/Pressure Fallback**— Valve position feedback is critical to the operation of a digital valve controller. The DVC6200f can detect position feedback problems and automatically revert to I/P transducer mode to keep the valve operational.

Ease of Use

- **Enhanced Safety**— The DVC6200f is a FOUNDATION fieldbus communicating device, so information can be accessed anywhere along the loop. This flexibility can reduce exposure to hazardous environments and make it easier to evaluate valves in hard to reach locations.



LINKAGE-LESS
FEEDBACK SYSTEM

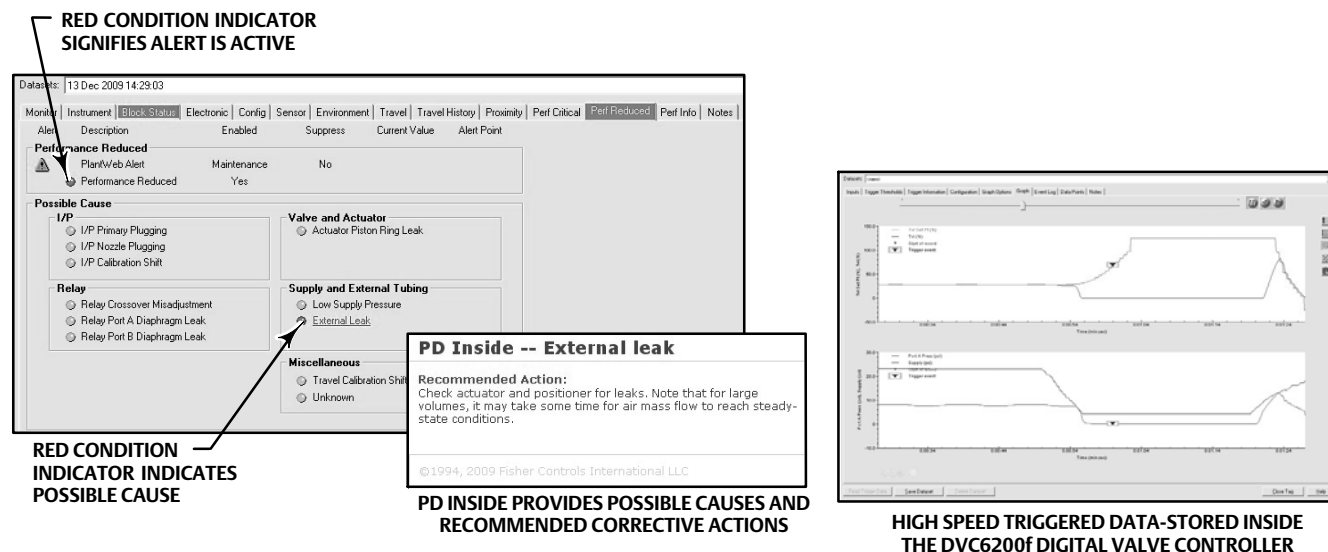
- **Faster Commissioning**— FOUNDATION fieldbus communications allows you to quickly commission loops with a variety of tools, either locally at the valve assembly or remotely.
- **Easy Maintenance**— The DVC6200f digital valve controller is modular in design. Critical working components can be replaced without removing field wiring or pneumatic tubing.

Value

- **Hardware Savings**— When installed in an integrated control system, significant hardware and installation cost savings can be achieved. Valve accessories such as limit switches and position transmitters can be eliminated because this information is available as function blocks.
- **Increased Uptime**— The self-diagnostic capability of the DVC6200f digital valve controller provides valve performance and health evaluation without shutting down the process or pulling the valve assembly from the line.
- **Improved Maintenance Decisions**— Digital communication provides easy access to the condition of the valve. Sound process and asset management decisions can be made by analysis of valve information through Fisher ValveLink™ software.



Figure 1. Condition Indicators



Valve Diagnostics

The DVC6200f digital valve controller provides a broad and deep portfolio of valve diagnostic capabilities. Whether the 475 Field Communicator is used to check for valve alerts and operational status, or ValveLink software is used for comprehensive diagnostic test and analysis, the tools are easy to use. Because the FOUNDATION fieldbus system provides continuous digital communication to field devices, the DVC6200f delivers prompt notification of current or potential equipment issues.

Performance Diagnostics enable condition and performance monitoring of the entire valve assembly (not just the digital valve controller) while the valve is actively controlling the process. When conducting Performance Diagnostics tests, the valve does NOT move beyond the normal setpoint changes driven by the process controller. The DVC6200f uses statistical algorithms to determine condition and performance related issues based on live readings from the many on-board sensors. Results are then displayed graphically, with severity indicated. A detailed description of the identified issue as well as suggestions for recommended actions are provided, as shown in figure 1.

Examples of identifiable issues are:

- Low air supply or pressure droop
- Incorrect regulator setting
- Dirty air supply
- External air leak (actuator diaphragm or tubing)
- Calibration shift
- Valve stuck
- Piston actuator O-ring failure
- Excessive valve assembly friction
- Excessive valve assembly deadband
- Elastomer failure in the DVC6200f
- Broken actuator spring

Performance Diagnostics also provide access to full-stroke dynamic testing of the valve assembly including; valve signature, dynamic error band, step response, and stroke check. These tests change the instrument setpoint at a controlled rate and are performed while the valve assembly is isolated from the process.

For additional information on FIELDVUE diagnostics and ValveLink software refer to Fisher bulletin 62.1:ValveLink (D102227X012).

Specifications

Available Mounting

- Integral mounting to the Fisher GX Control Valve and Actuator System
- Integral mounting to Fisher rotary actuators,
- Sliding-stem linear applications
- Quarter-turn rotary applications

DVC6200f digital valve controllers can also be mounted on other actuators that comply with IEC 60534-6-1, IEC 60534-6-2, VDI/VDE 3845 and NAMUR mounting standards

Function Block Suites

- SC (Standard Control) (throttling control)
Includes AO, PID, ISEL, OS, AI, MAI, DO, and four DI function blocks
- FC (Fieldbus Control) (throttling control)
Contains the AO function block
- FL (Fieldbus Logic) [discrete (on/off) connectivity]
Includes DO, and four DI function blocks

Block Execution Times

AO Block: 15 ms	AI Block: 15 ms
PID Block: 20 ms	MAI Block: 35 ms
ISEL Block: 20 ms	DO Block: 15 ms
OS Block: 20 ms	DI Block: 15 ms

Electrical Input

Voltage Level: 9 to 32 volts
Maximum Current: 19 mA
Reverse Polarity Protection: Unit is not polarity sensitive
Termination: Bus must be properly terminated per ISA SP50 guidelines

Digital Communication Protocol

FOUNDATION fieldbus registered device

Physical Layer Type(s):

- 121—Low-power signaling, bus-powered, Entity Model I.S.
- 511—Low-power signaling, bus-powered, FISCO I.S.

Fieldbus Device Capabilities

Backup LAS (Link Active Scheduler)

Supply Pressure⁽¹⁾

Minimum Recommended: 0.3 bar (5 psig) higher than maximum actuator requirements

Maximum: 10.0 bar (145 psig) or maximum pressure rating of the actuator, whichever is lower

Supply Medium

Air or Natural Gas

Air: Supply pressure must be clean, dry air that meets the requirements of ISA Standard 7.0.01. A maximum 40 micrometer particle size in the air system is acceptable. Further filtration down to 5 micrometer particle size is recommended.

Natural Gas: Natural gas must be clean, dry, oil-free, and noncorrosive. H₂S content should not exceed 20 ppm.

Output Signal

Pneumatic signal, up to 95% of supply pressure

Minimum Span: 0.4 bar (6 psig)

Maximum Span: 9.5 bar (140 psig)

Action: ■ Double, ■ Single Direct or ■ Reverse

Steady-State Air Consumption⁽²⁾⁽³⁾

At 1.4 bar (20 psig) supply pressure: Less than 0.38 normal m³/hr (14 scfh)

At 5.5 bar (80 psig) supply pressure: Less than 1.3 normal m³/hr (49 scfh)

Maximum Output Capacity⁽²⁾⁽³⁾

At 1.4 bar (20 psig) supply pressure: 10.0 normal m³/hr (375 scfh)

At 5.5 bar (80 psig) supply pressure: 29.5 normal m³/hr (1100 scfh)

Operating Ambient Temperature Limits⁽¹⁾⁽⁴⁾

-40 to 85°C (-40 to 185°F)

-52 to 85°C (-62 to 185°F) for instruments utilizing the Extreme Temperature option (fluorosilicone elastomers)

Independent Linearity⁽⁵⁾

Typical Value: ±0.50% of output span

Electromagnetic Compatibility

Meets EN 61326-1 (First Edition)

Immunity—Industrial locations per Table 2 of the EN 61326-1 standard.

Emissions—Class A

ISM equipment rating: Group 1, Class A

Vibration Testing Method

Tested per ANSI/ISA-S75.13.01 Section 5.3.5.

Humidity Testing Method

Tested per IEC 61514-2

-continued-

Specifications (continued)

Electrical Classification

Hazardous Area Approvals

CSA— Intrinsicly Safe and FISCO, Explosion-proof, Division 2, Dust Ignition-proof

FM— Intrinsicly Safe and FISCO, Explosion-proof, Non-Incendive, Dust Ignition-proof

ATEX— Intrinsicly Safe, FISCO, and Dust, Flameproof and Dust, Type n and Dust

IECEX— Intrinsicly Safe and FISCO, Flameproof, Type n

Electrical Housing

CSA— Type 4X, IP66 ATEX— IP66

FM— NEMA 4X IECEX— IP66

The Gas Certified DVC6200f is CSA, FM, ATEX, and IECEX approved for use with natural gas as the supply medium

Other Classifications/Certifications

INMETRO— Brazil

NEPSI— China

KGS— Korea

TIIS— Japan

Contact your Emerson Process Management sales office for classification/certification specific information

Connections

Supply Pressure: 1/4 NPT internal and integral pad for mounting 67CFR regulator

Output Pressure: 1/4 NPT internal

Tubing: 3/8-inch recommended

Vent: 3/8 NPT internal

Electrical: 1/2 NPT internal, M20 adapter optional

Actuator Compatibility

Stem Travel (Sliding-Stem Linear)

Minimum: 6.35 mm (0.25 inch)

Maximum: 606 mm (23-7/8 inches)

Shaft Rotation (Quarter-Turn Rotary)

Minimum: 45°

Maximum: 90°

Weight

Aluminum: 3.5 kg (7.7 lbs)

Stainless Steel: 8.6 kg (19 lbs)

Construction Materials

Housing, module base and terminal box:
A03600 low copper aluminum alloy (standard),
Stainless Steel (optional)

Cover: Thermoplastic polyester

Elastomers: Nitrile (standard)

Options

- Supply and output pressure gauges or ■ Tire valves
- Integral mounted filter regulator ■ Low-Bleed Relay
- Extreme Temperature ■ Natural Gas Certified
- Remote Mount⁽⁶⁾ ■ Stainless Steel

Additional Information

For additional information go to www.FIELDVUE.com or contact your Emerson Process Management sales office.

NOTE: Specialized instrument terms are defined in ANSI/ISA Standard 51.1 - Process Instrument Terminology.

1. The pressure/temperature limits in this document and any other applicable code or standard should not be exceeded.

2. Normal m³/hour - Normal cubic meters per hour at 0°C and 1.01325 bar, absolute. Scfh - Standard cubic feet per hour at 60°F and 14.7 psia.

3. Values at 1.4 bar (20 psig) based on a single-acting direct relay; values at 5.5 bar (80 psig) based on double-acting relay.

4. Temperature limits vary based on hazardous area approval.

5. Not applicable for travels less than 19 mm (0.75 inch) or for shaft rotation less than 60 degrees. Also not applicable for digital valve controllers in long-stroke applications.

6. 4-conductor shielded cable, 18 to 22 AWG minimum wire size, in rigid or flexible metal conduit, is required for connection between base unit and feedback unit.

Neither Emerson, Emerson Process Management, nor any of their affiliated entities assumes responsibility for the selection, use or maintenance of any product. Responsibility for proper selection, use, and maintenance of any product remains solely with the purchaser and end user.

Fisher, FIELDVUE, and ValveLink are marks owned by one of the companies in the Emerson Process Management business unit of Emerson Electric Co. Emerson Process Management, Emerson, and the Emerson logo are trademarks and service marks of Emerson Electric Co. FOUNDATION fieldbus is a mark owned by the Fieldbus Foundation. All other marks are the property of their respective owners.

The contents of this publication are presented for informational purposes only, and while every effort has been made to ensure their accuracy, they are not to be construed as warranties or guarantees, express or implied, regarding the products or services described herein or their use or applicability. All sales are governed by our terms and conditions, which are available upon request. We reserve the right to modify or improve the designs or specifications of such products at any time without notice.

Emerson Process Management
Marshalltown, Iowa 50158 USA
Sorocaba, 18087 Brazil
Chatham, Kent ME4 4QZ UK
Dubai, United Arab Emirates
Singapore 128461 Singapore

www.Fisher.com