

Fisher® FIELDVUE™ DVC6200 Digital Valve Controller / Magnet Assembly Dimensions

Digital Valve Controller	Configuration ⁽¹⁾	Mounting	Figure	Page
DVC6200 DVC6200f DVC6200p	Integral mounting to the Fisher GX control valve and actuator system Integral mounting to Fisher rotary actuators Sliding-stem linear applications Quarter-turn rotary applications	With integrally mounted filter regulator	1	1, 2
DVC6205 DVC6205f DVC6205p	Remote mount base unit	---	2	3
DVC6215	Feedback unit	---	3	4

1. DVC6200 digital valve controllers can also be mounted on other actuators that comply with IEC 60534-6-1, IEC 60534-6-2, VDI/VDE 3845 and NAMUR mounting standards.

Magnet Assembly ⁽¹⁾	Figure	Page
SStem #19 19 mm / 3/4 inch	4	4
SStem #25 25 mm / 1 inch	5	4
SStem #38 38 mm / 1-1/2 inch	6	5
SStem #50 50 mm / 2 inch	7	5
SStem #100 100 mm 4 inch	8	6
SStem #210 210 mm / 8-1/4 inch	9	6
RShaft #1 / LRC ⁽²⁾ Fisher 2052 Size 1 & 3, 1051/1052 Size 40-70, 1061 Size 30-100, Sliding Stem > 210 mm (8.25 inches)	10	7
RShaft #2 / LRC ⁽²⁾ 2052 Size 1, 1051/1052 Size 20-33	10	7
RShaft End 90 degree	11	8

1. Linear magnet assembly width dimensions are shown in figure 6.
2. Linear Roller Cam.

Figure 1. FIELDVUE DVC6200, DVC6200f, and DVC6200p Digital Valve Controller with Integrally Mounted Filter Regulator

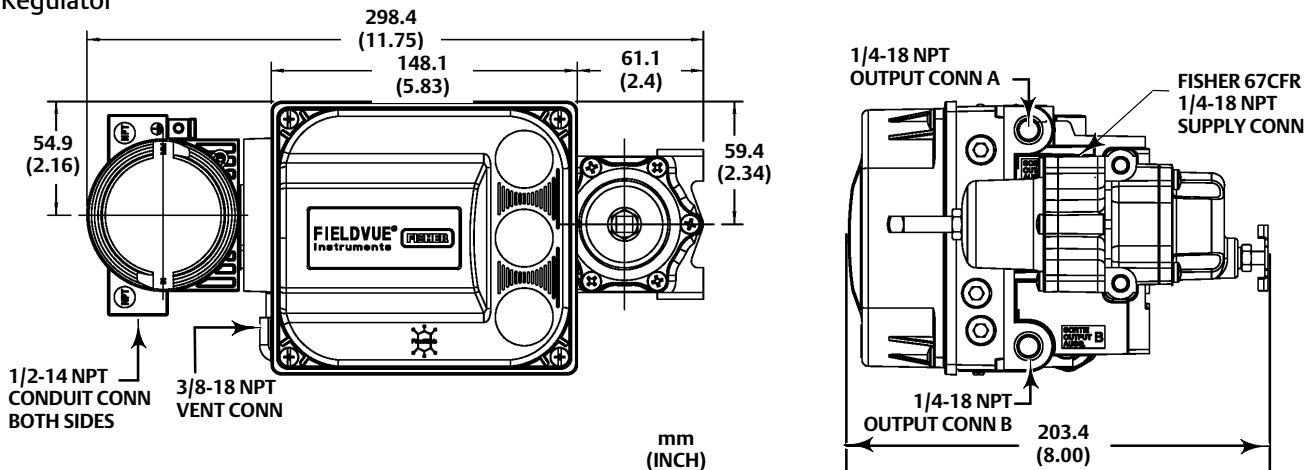
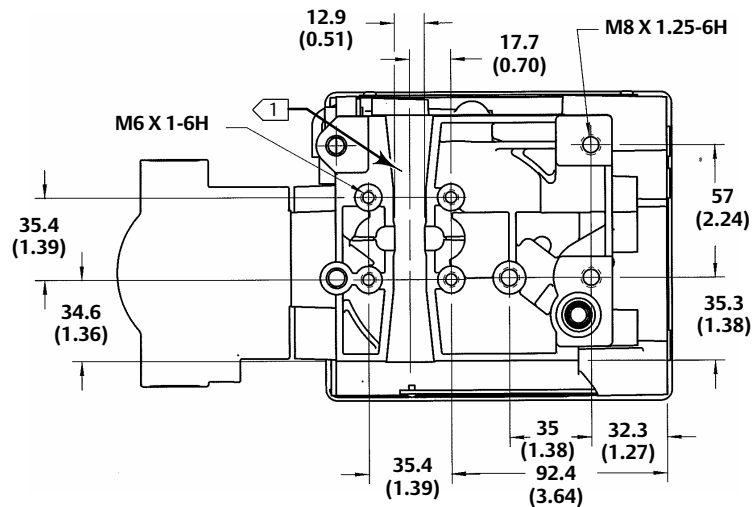
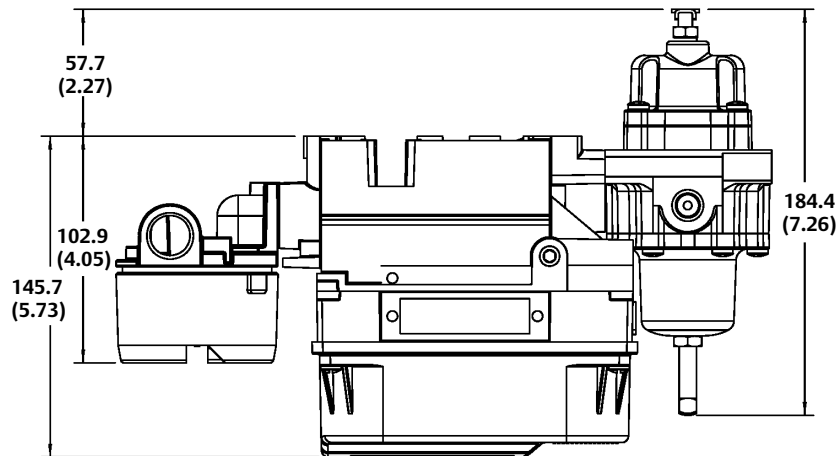


Figure 1. FIELDVUE DVC6200, DVC6200f, and DVC6200p Digital Valve Controller with Integrally Mounted Filter Regulator (continued)



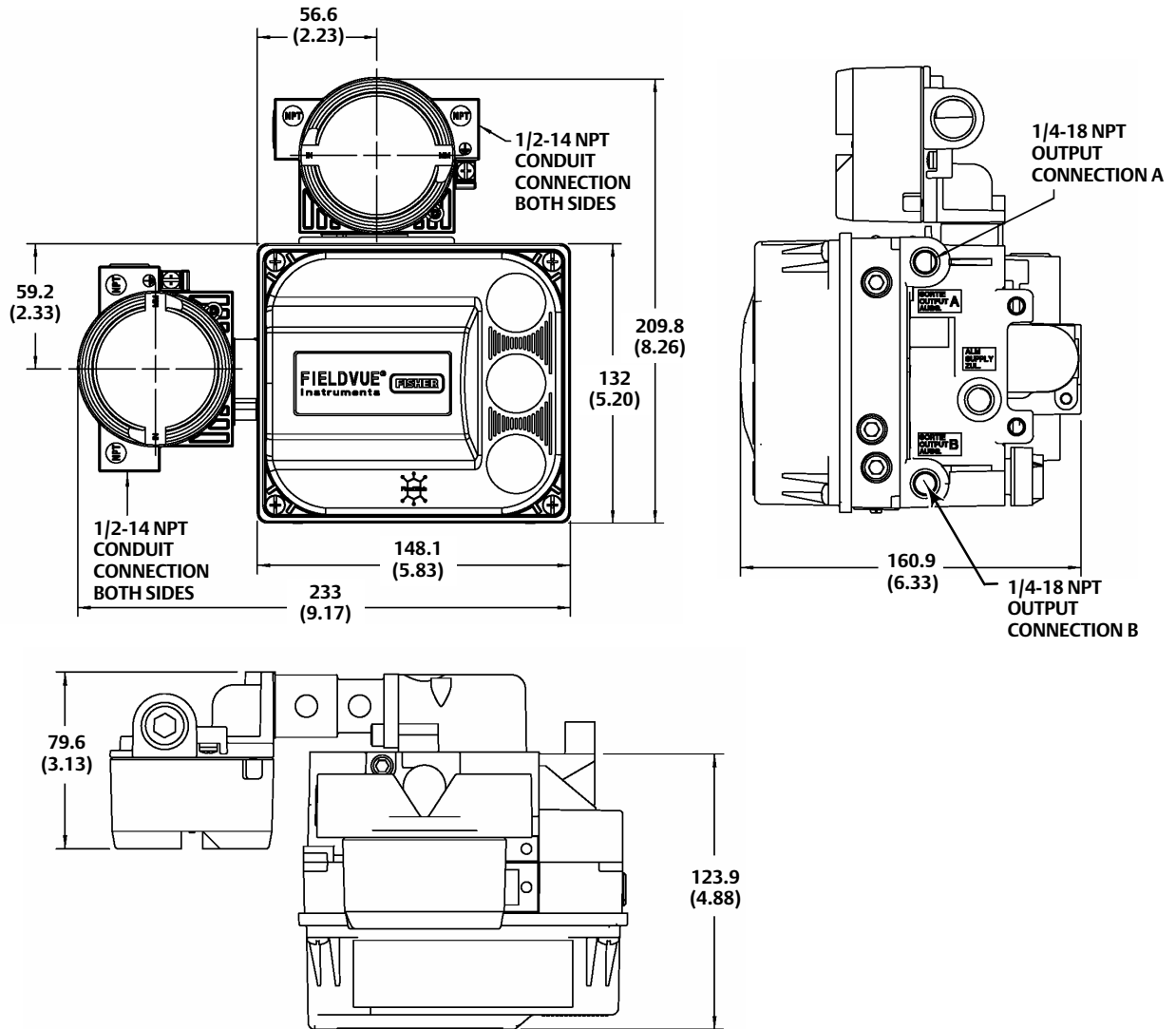
**BACK VIEW
(REGULATOR NOT SHOWN)**

mm
(INCH)

GE42896

① Housing insert for SSTEM #210 magnet assembly (figure 9) inserted here.

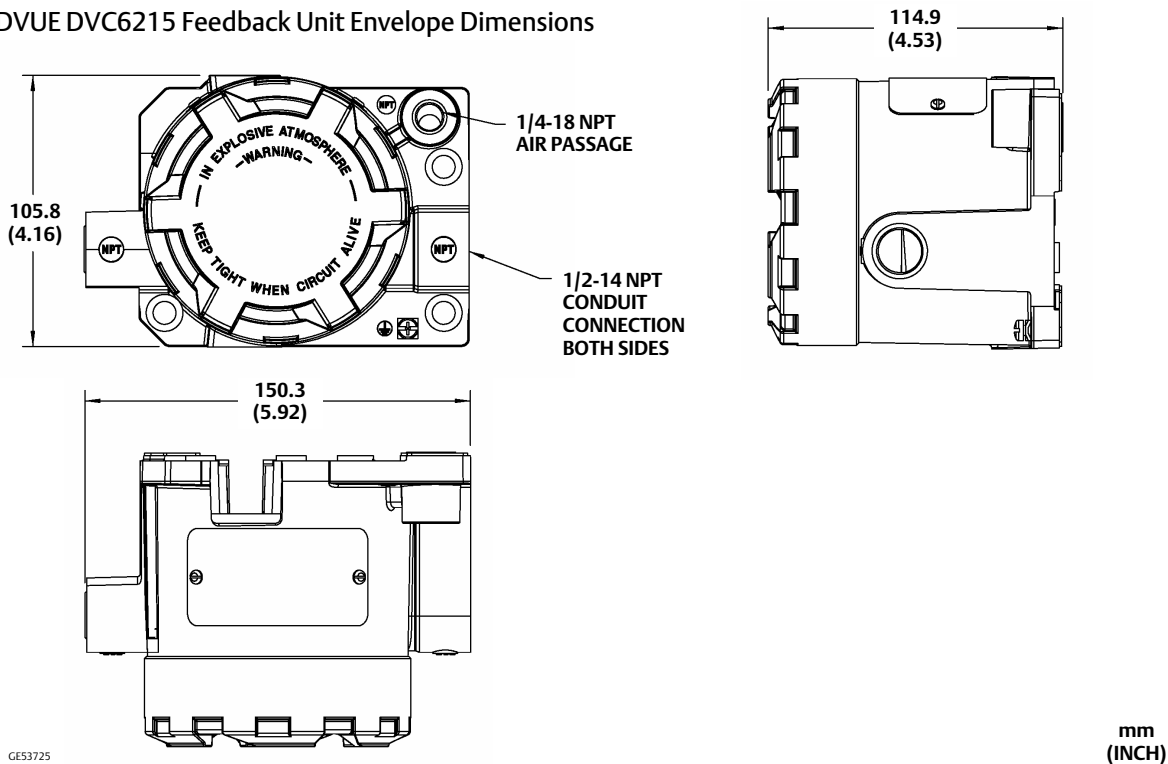
Figure 2. FIELDVUE DVC6205, DVC6205f, and DVC6205p Remote Mount Base Unit Envelope Dimensions



GE53722

mm
(INCH)

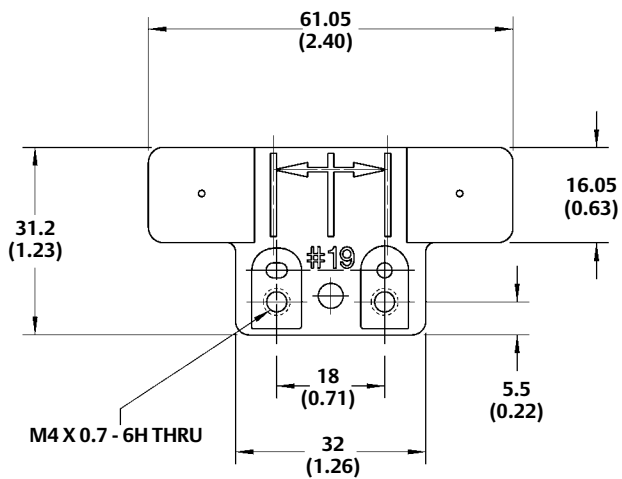
Figure 3. FIELDVUE DVC6215 Feedback Unit Envelope Dimensions



Mounting hole locations for the DVC6215 feedback unit are the same as for the DVC6200, DVC6200f, and DVC6200p digital valve controller. Refer to the back view in figure 1.

Aluminum Magnet Assemblies

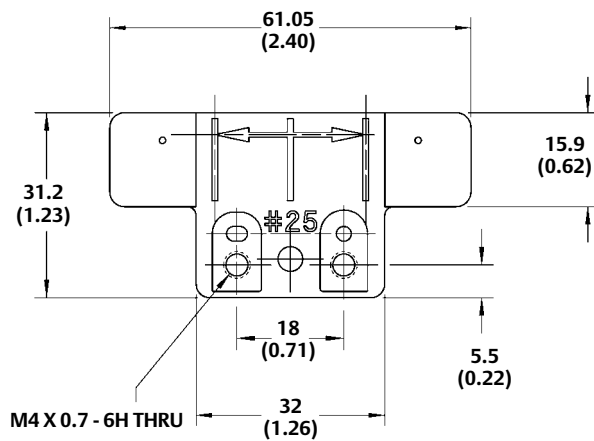
Figure 4. SStem #19 Magnet Assembly $\triangleleft 2$



8 - 19 mm (0.32 - 0.75 INCH) TRAVEL RANGE

mm
(INCH)

Figure 5. SStem #25 Magnet Assembly $\triangleleft 2$



20 - 25 mm (0.76 - 1.00 INCH) TRAVEL RANGE

mm
(INCH)

Figure 6. SStem #38 Magnet Assembly

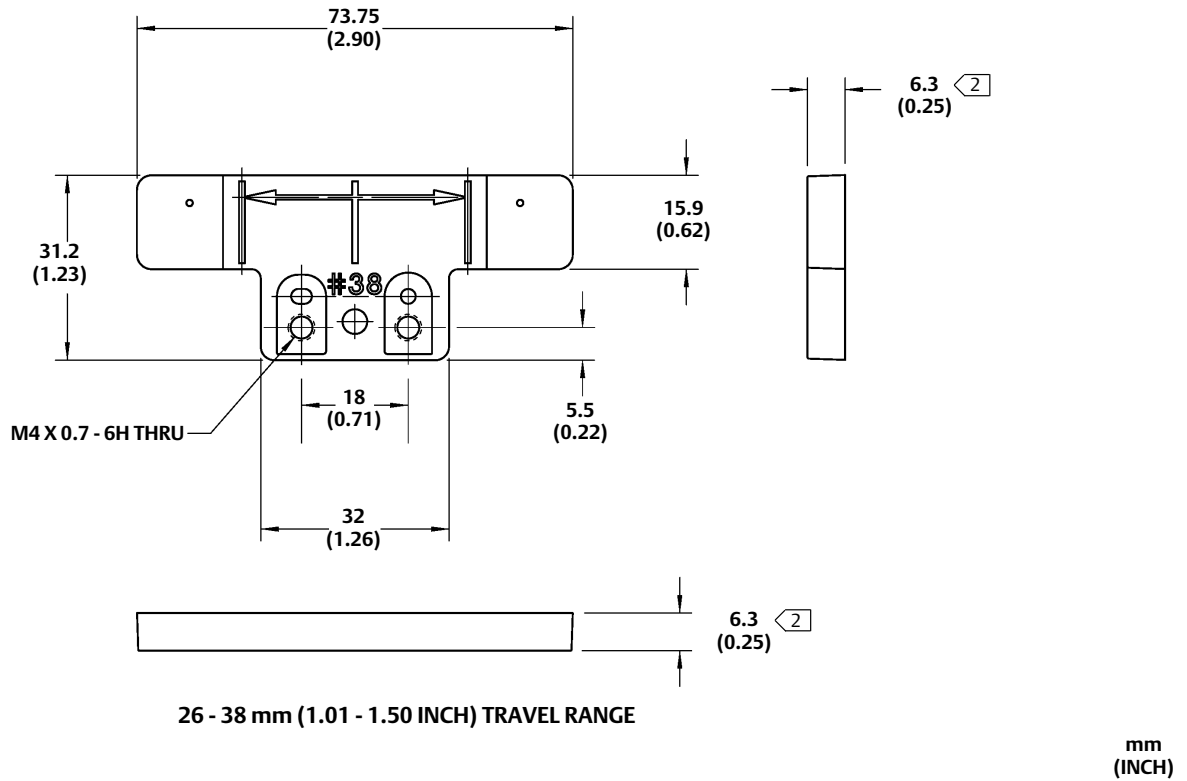


Figure 7. SStem #50 Magnet Assembly

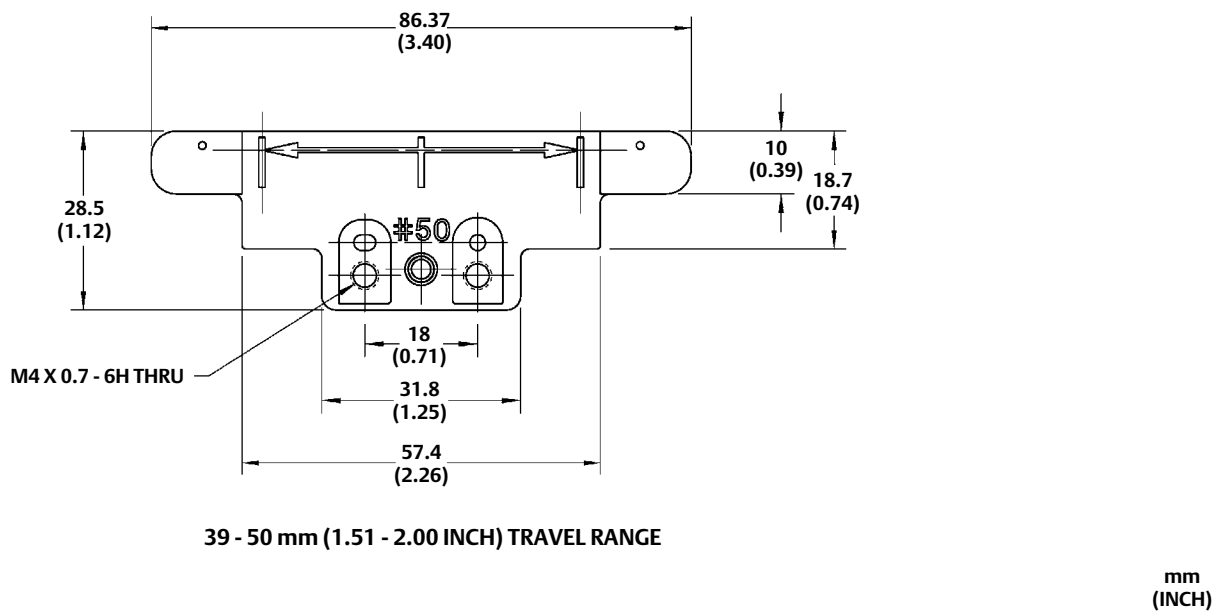


Figure 8. SStem #100 Magnet Assembly 2

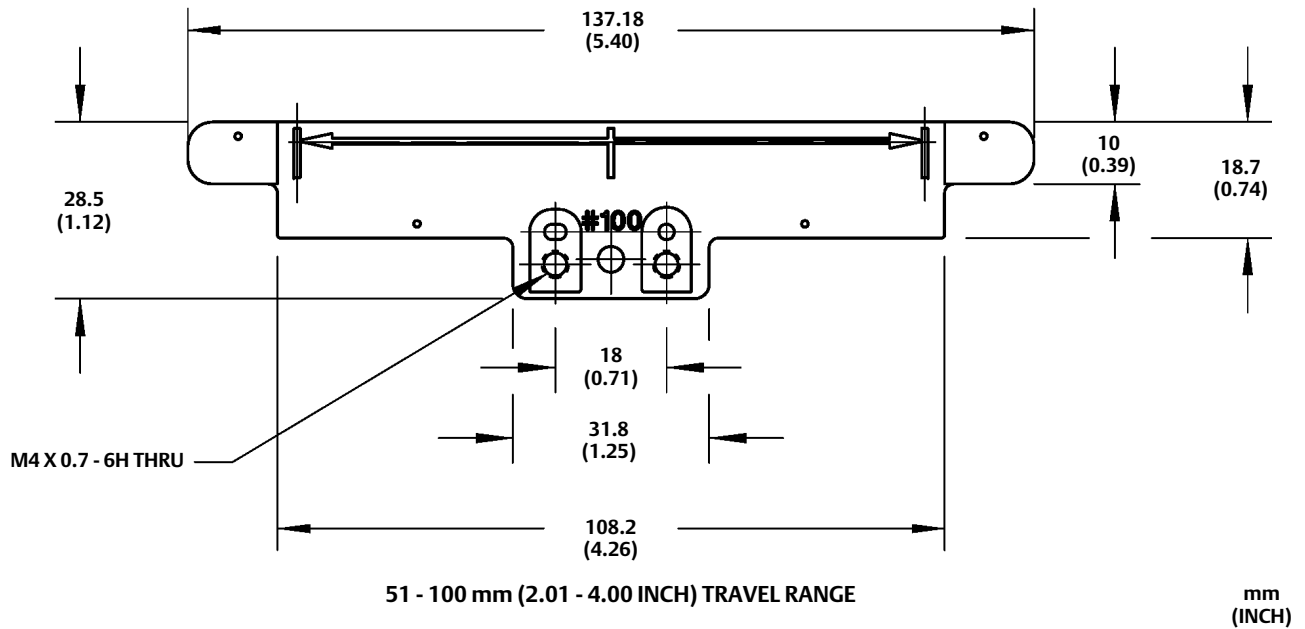
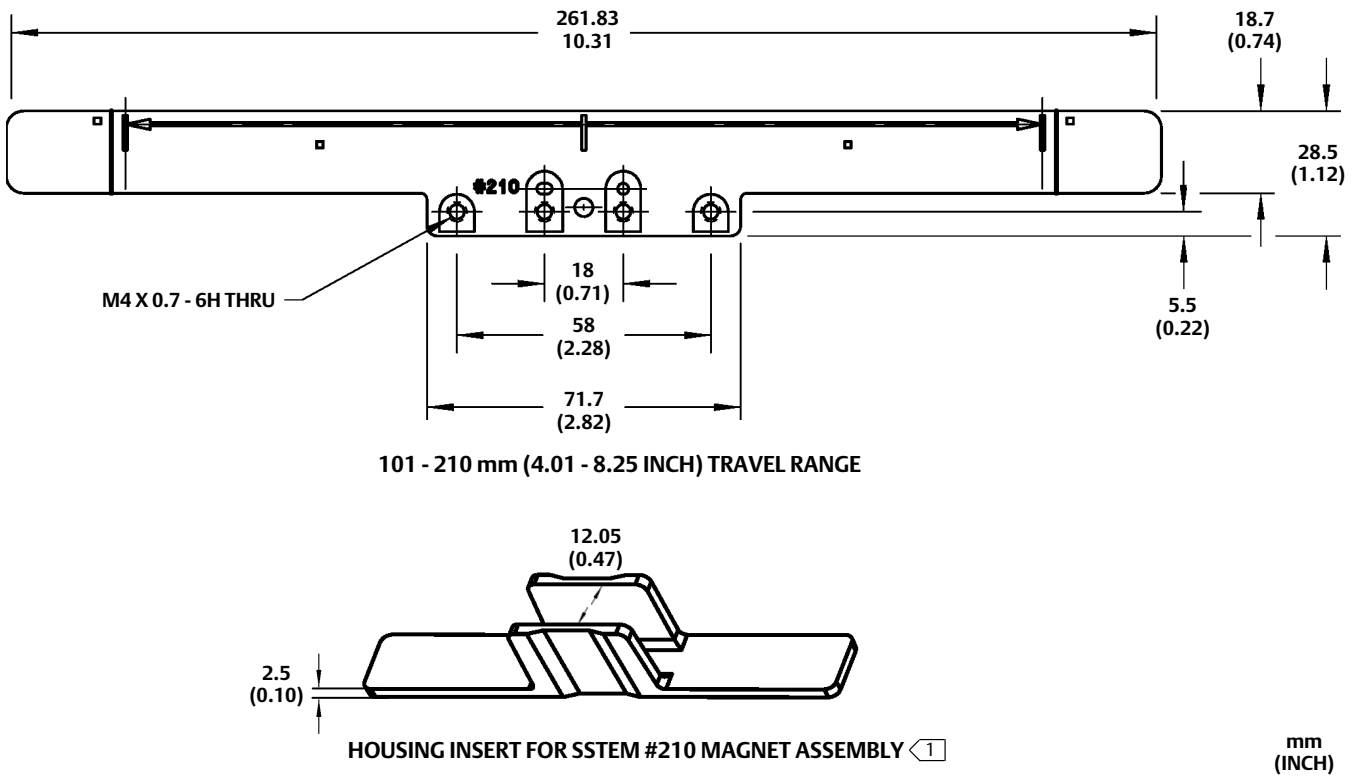
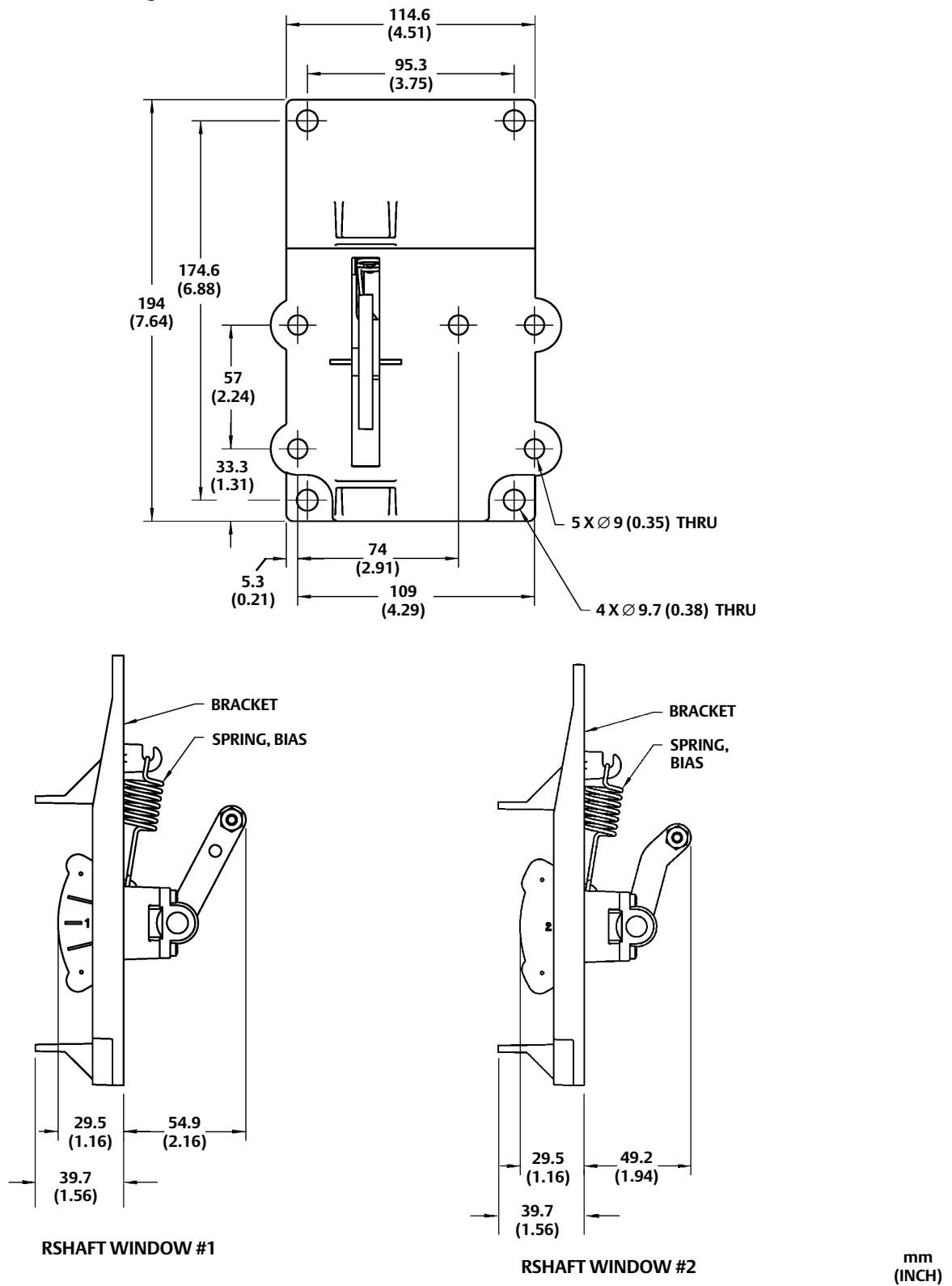


Figure 9. SStem #210 Magnet Assembly 2



1 Refer to back view of figure 1 for housing insert placement.

Figure 10. RShaft Window Magnet Assemblies

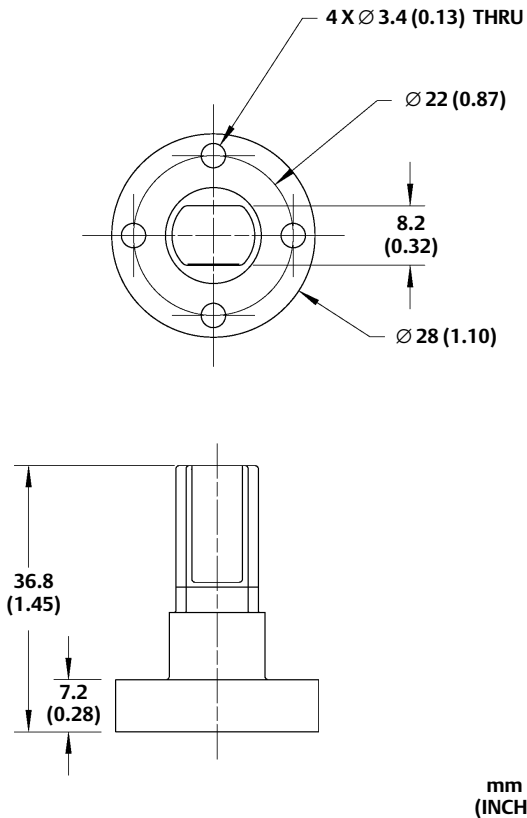


Product Bulletin

62.1:DVC6200(S1)
May 2012

DVC6200 Digital Valve Controller
D103543X012

Figure 11. RShaft End Mount Magnet Assembly



Related Documents

- Bulletin 62.1:DVC6200—Fisher FIELDVUE DVC6200 Digital Valve Controller (D103415X012)
- Bulletin 62.1:DVC6200f—Fisher FIELDVUE DVC6200f Digital Valve Controller (D103399X012)
- Bulletin 62.1:DVC6200p—Fisher FIELDVUE DVC6200p Digital Valve Controller (D103564X012)

All documents are available from your Emerson Process Management sales office. Also visit our website at www.FIELDVUE.com.

Neither Emerson, Emerson Process Management, nor any of their affiliated entities assumes responsibility for the selection, use or maintenance of any product. Responsibility for proper selection, use, and maintenance of any product remains solely with the purchaser and end user.

Fisher and FIELDVUE are marks owned by one of the companies in the Emerson Process Management business unit of Emerson Electric Co. Emerson Process Management, Emerson, and the Emerson logo are trademarks and service marks of Emerson Electric Co. All other marks are the property of their respective owners.

The contents of this publication are presented for informational purposes only, and while every effort has been made to ensure their accuracy, they are not to be construed as warranties or guarantees, express or implied, regarding the products or services described herein or their use or applicability. All sales are governed by our terms and conditions, which are available upon request. We reserve the right to modify or improve the designs or specifications of such products at any time without notice.

Emerson Process Management
Marshalltown, Iowa 50158 USA
Sorocaba, 18087 Brazil
Chatham, Kent ME4 4QZ UK
Dubai, United Arab Emirates
Singapore 128461 Singapore

www.Fisher.com